

Fast. Smart. Clean.

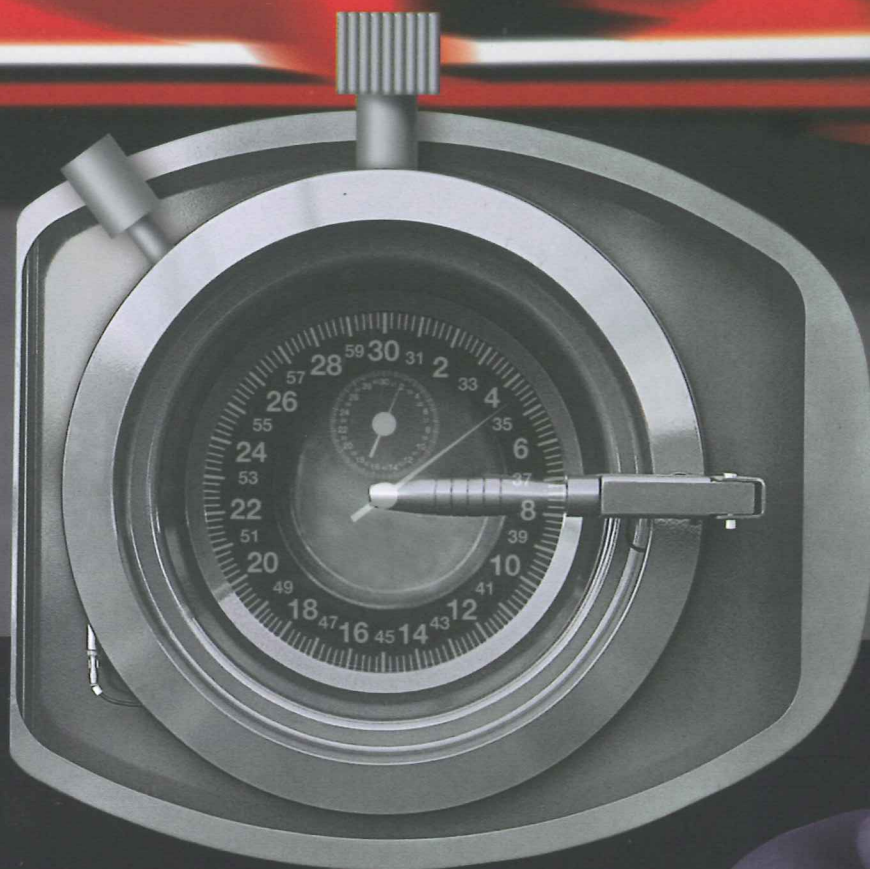


Frankford Associates, Inc.
4500 Torresdale Avenue
Philadelphia, PA 19124

Phone: 215-289-3434

Fax: 215-289-4470

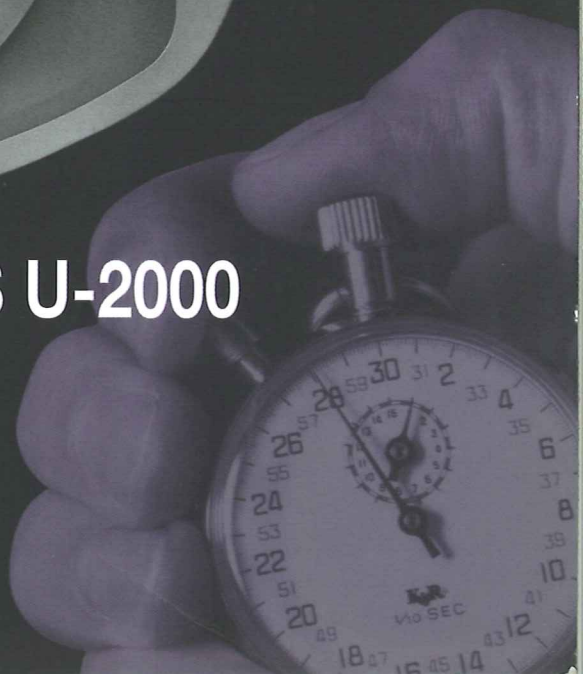
www.frankfordonline.com



UNION L&P 800 SERIES U-2000



The Ideal Drycleaning System.



We know what it takes to be First.



Since its inception in 1976, Union has been the benchmark by which all other drycleaning systems are measured.

We lead the field in high-quality design and construction, incorporating continual advances in technology made possible by the industry's most creative and visionary research team.

The vast Union complex incorporates manufacturing and assembly plants housing state-of-the-art research and development, high-tech inspection and CAD-based design facilities.

Over 80% of machine components are made in-house to assure you the highest level of quality control in every Union product.

Today, Union Drycleaning Systems can be found in over 60 countries, sold and serviced by more than 275 factory-authorized dealers worldwide.

To keep abreast of the latest advances in product technology, Union sponsors periodic technical seminars and training courses for service personnel and drycleaners alike.

In North America alone, Union Drycleaning Systems outnumber competitive brands by more than two-to-one.

At Union, we know what it takes to be first...and how to help your business be first at the finish line in drycleaning profits!

The 800 Series

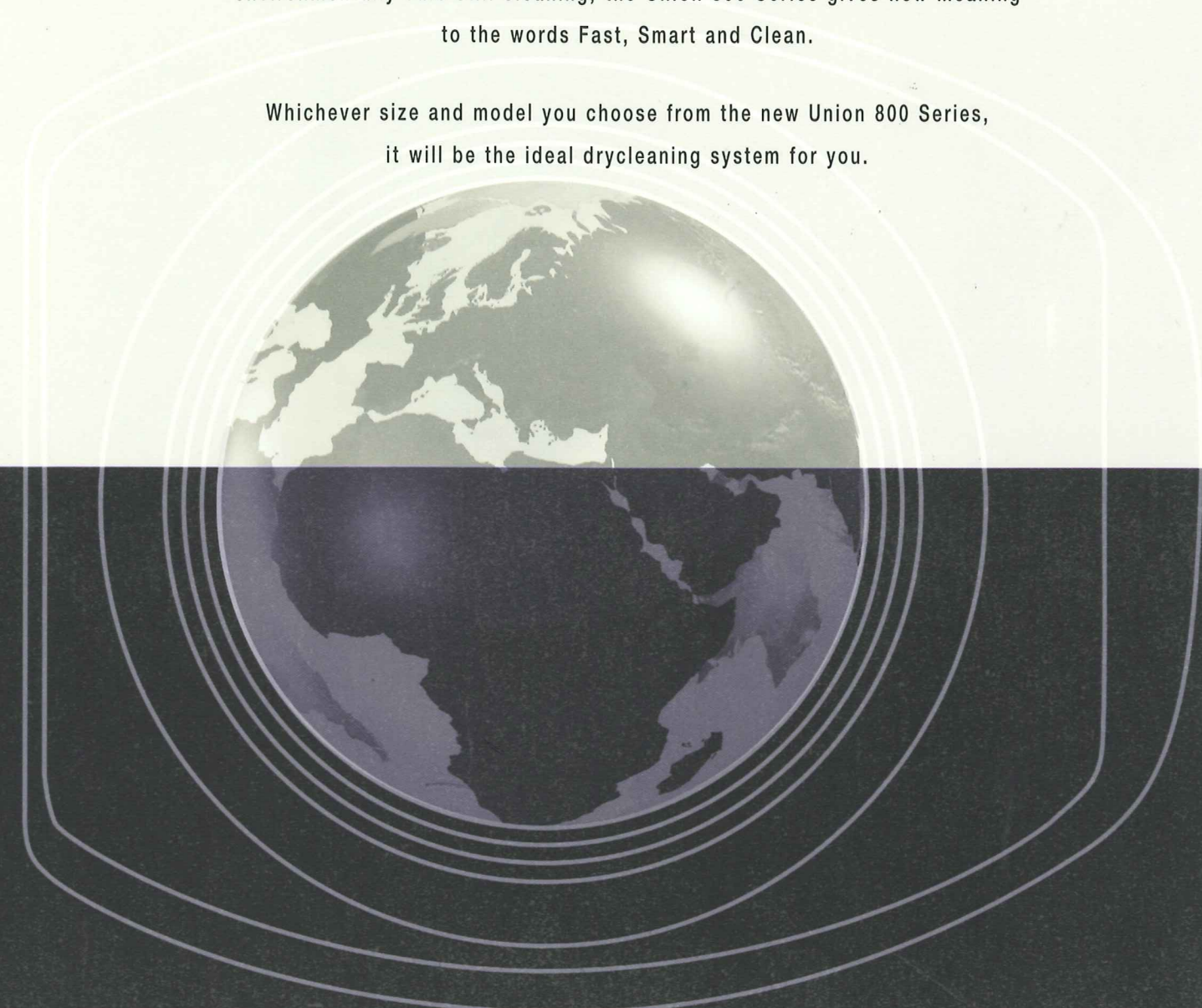


The Ideal Drycleaning System.

The result of Union's three-decade leadership in the drycleaning industry is an unprecedented level of innovation and safety you'll find in the new 800 Series...innovation and safety that translates into faster production, lower energy and maintenance costs, easier operation and ecologically superior performance.

From the innovative Dialog Plus™ computer brain to advanced Idromatic™ environmentally safe still cleaning, the Union 800 Series gives new meaning to the words Fast, Smart and Clean.

Whichever size and model you choose from the new Union 800 Series, it will be the ideal drycleaning system for you.



HISTORY
QUALITY
TECHNOLOGY
RESEARCH
INNOVATION
SAFETY

Advanced Technology for Greater Performance.

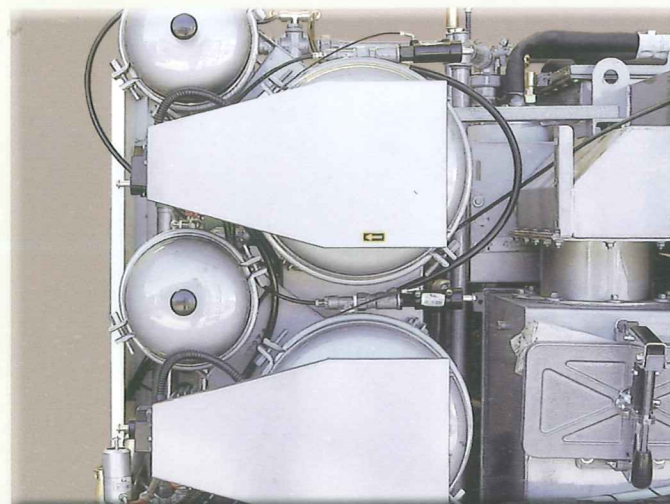
Our new Dialog Computer has 20 factory-set programs to handle virtually every need, yet can be customized on-site thanks to simple-write manual overrides. All system functions and program controls appear in the easy-to-read, quick-access call-up menu panel. The displays continuously monitor and show solvent temperature, outlet air temperature and inlet air temperature. Exclusive Maintenance Man™ feature keeps accurate, progressive accounts of operation performance and routine maintenance on a time/day/date basis. All data can be retrieved and logged into any PC desktop or laptop personal computer for easy record keeping.

Extra-large loading door features computer-controlled PosiSeal™ lock which prevents door opening until final cycle is completed and all vapor has been removed from the system. Newly designed Cyclonic Airflo™ basket maximizes temperature-controlled air throughout the load for faster, more efficient drying and cool-down. It also features automatic back-plate washdown and residual lint removal. New rim design keeps buttons and other objects from getting lodged between the door and inside rim.

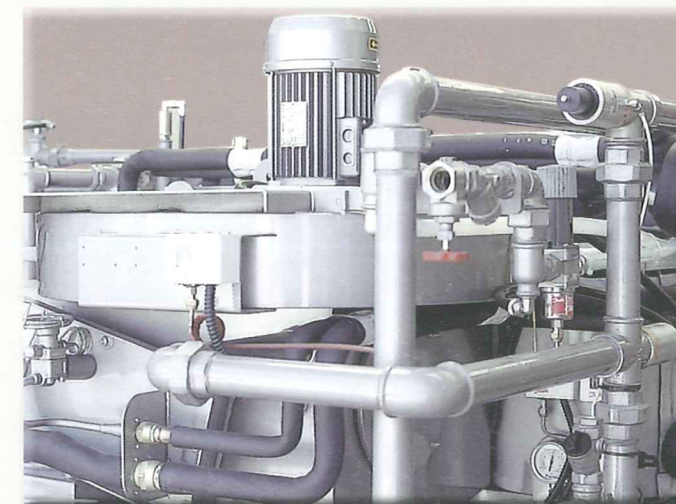


All new Union L800 Series Systems feature up-front filter and temperature gauges for easy reading, front-access to primary controls and components, and illuminated sightglasses in strategic locations for quick visual inspection.

Advanced Technology for Greater Performance.



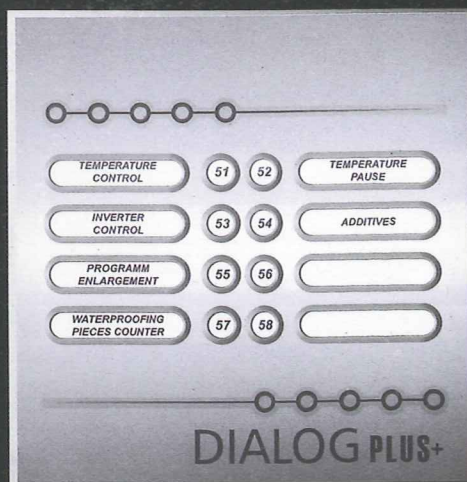
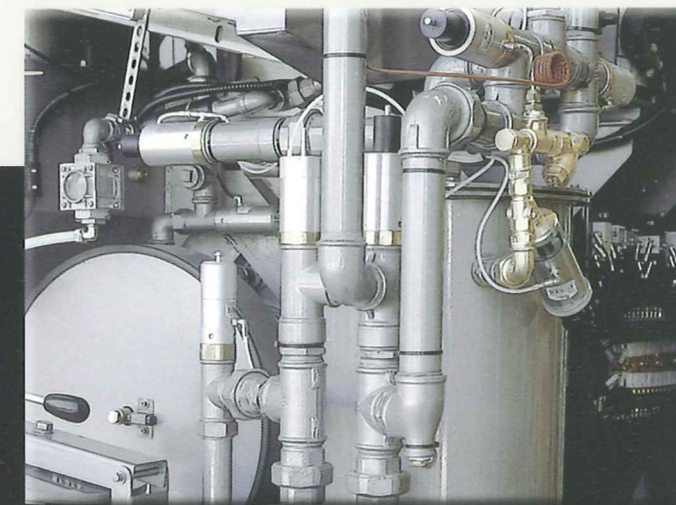
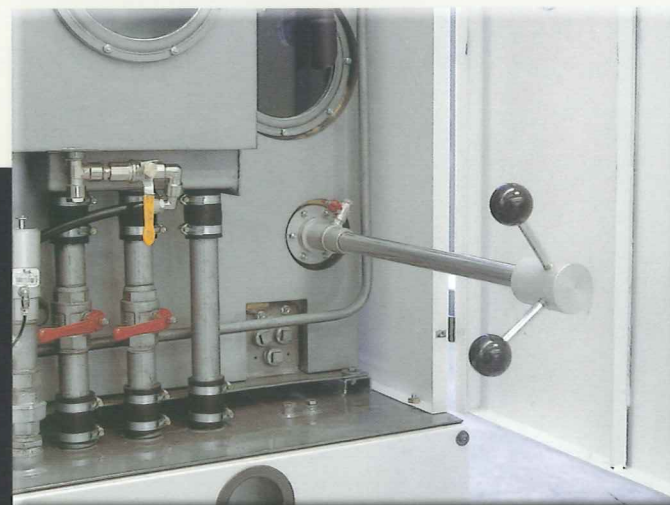
Multiple, independently functioning high-micron self-cleaning spin disc EcoFilters and large-capacity carbon cartridge filters are standard on all Union 800 Series Systems to assure optimum filtration of both large and small particles for maximum solvent purity. Computer controls automatically pair filter operation for whites, darks or colors according to specific programs.



New, oversized Turbo 2™ Fan cuts drying time by up to 10 minutes compared to previous models. Easy-to-read digital display panels show still bottom temperature control, cold air temperature, air inlet temperature for the Recuper, and still water control. The refrigeration unit is divided into separate segments for simplified maintenance and reduced downtime. Compressor, refrigeration coil, and heat-exchange coil can be individually serviced without removing the entire system. Sealed coils plus quick disconnects prevent freon gas discharge. Saves energy and reduces operating costs.

Union's Idromatic™ Still Cleaning System completely removes sludge, lets you scrape* still interior walls and floor, then automatically pumps out all residue for containerization and safe disposal...all without opening the still door so there is never any exposure to solvent fumes or waste. The still is then automatically sprayed with a fine jet of reclaimed solvent to assure a totally cleaned and purified chamber prior to refill. *Scrapper not available on SlimSpace™ models.

The new Union 800 Series U-2000 Systems are now equipped with the Recuper built into the mainframe of the machine, creating a much smaller footprint taking up less floor space. Any low concentration of solvent fumes or odors that may have remained in the system are removed and exchanged for clean air before the basket door can be opened. Helps increase solvent mileage and lowers perc costs.

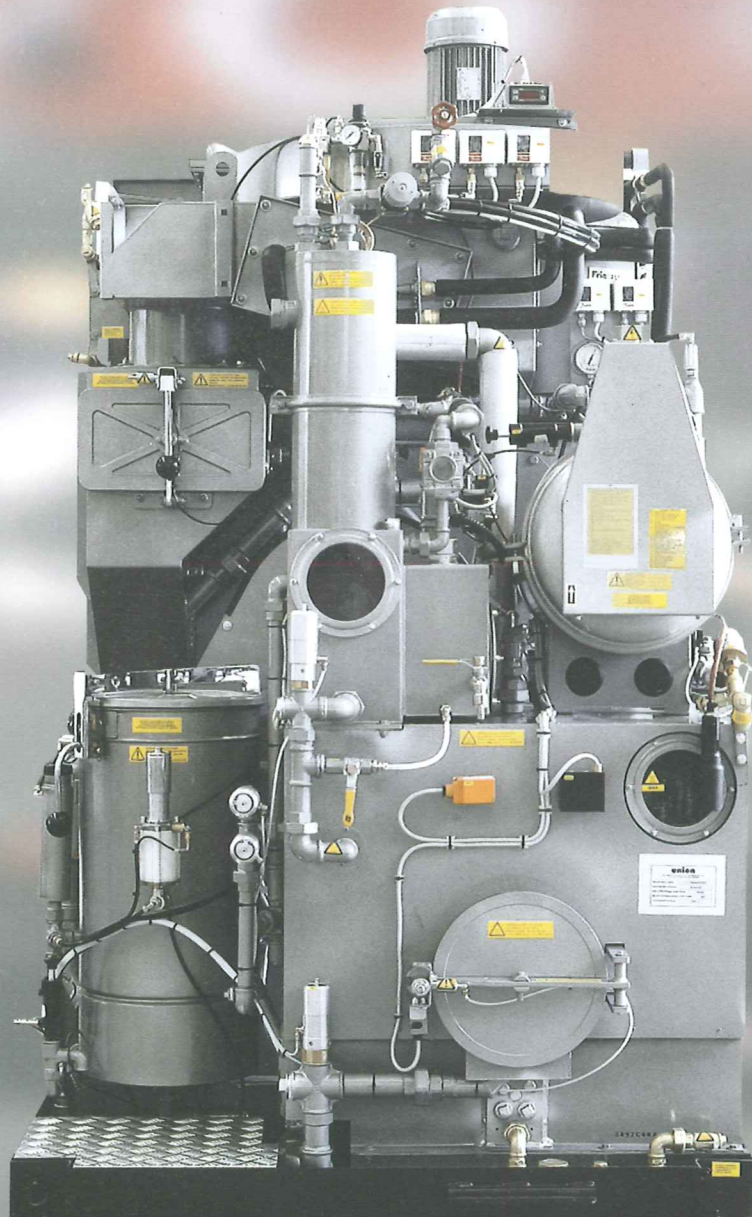


Union Unleashes The Brain!
Dialog Plus™ is the latest advance in computerized operation technology for drycleaning. And it is standard on every new Union 800 Series System! With Dialog Plus™ you can run different multiple programs without having to change temperature settings. Once the individual programs are entered, Dialog Plus™ automatically remembers the settings for you. So you can run a regular cleaning cycle with standard temperatures, then switch to a "delicates program" with lower solvent and drying temperature with no adjustment to settings. Dialog Plus™ also allows individual control for solvent, inlet and outlet air temperatures for each step in the cycle, and monitors and displays all temperatures in the system, including distilled solvent temperature and evaporator temperature. It even pauses a cycle until the correct temperature for operation is attained, automatically controls soap and additive injections, and lets you quickly and simply modify or enlarge any segment of the program in use. That's why we call it The Brain. You'll call it Indispensable!



The Ideal Drycleaning System.

UNION P-840, P-850 SlimSpace FAST. SMART. CLEAN.



UNION L-840 FAST. SMART. CLEAN.



The new Union SlimSpace™ models in 40 and 50 pound load capacities are the perfect primary drycleaning systems for plants with limited floor space, as auxiliary units for adding extra cleaning capacity, as units reserved for speciality cleaning applications, and for adding drycleaning capability in attendant-serviced coin laundries.

Union SlimSpace™ Systems pack in all the high-performance and exclusive features of Union's L-800 Series in a more compact size with a narrower, slim footprint. SlimSpace™ models are equipped with two independently controlled solvent holding/transfer tanks with slanted base and illuminated sightglasses.

The Idromatic™ Still Cleaning System does not incorporate a still scraper.



The Ideal Drycleaning System.

Exceptional cleaning, economy and ecological performance in a 40-pound load capacity model. Logical, ergonomically designed for convenient, easy access to all components for quick maintenance.

Multiple, independent spin disc EcoFilters™ and carbon cartridge filters. Convenient access to oversized double lint filters and button trap. Extra-large Turbo 2™ Fan. Dialog™ Computer with Dialog Plus™. Two-stage gravitational water separator with sightglass. Modular designed refrigeration system. Built-in Recuper U-2000™.

Idromatic™ Still Cleaning System. Quick disconnect hoses. Easily accessible piping, fittings and quick cut-off valves.

High-efficiency pumps. Industrial grade stainless steel and brass in all critical areas.

Still overflow protection and heavy-duty steel containment base. 24-volt computer circuitry. ETL-listed.



The Ideal Drycleaning System.

UNION L-850, L-860 FAST. SMART. CLEAN.

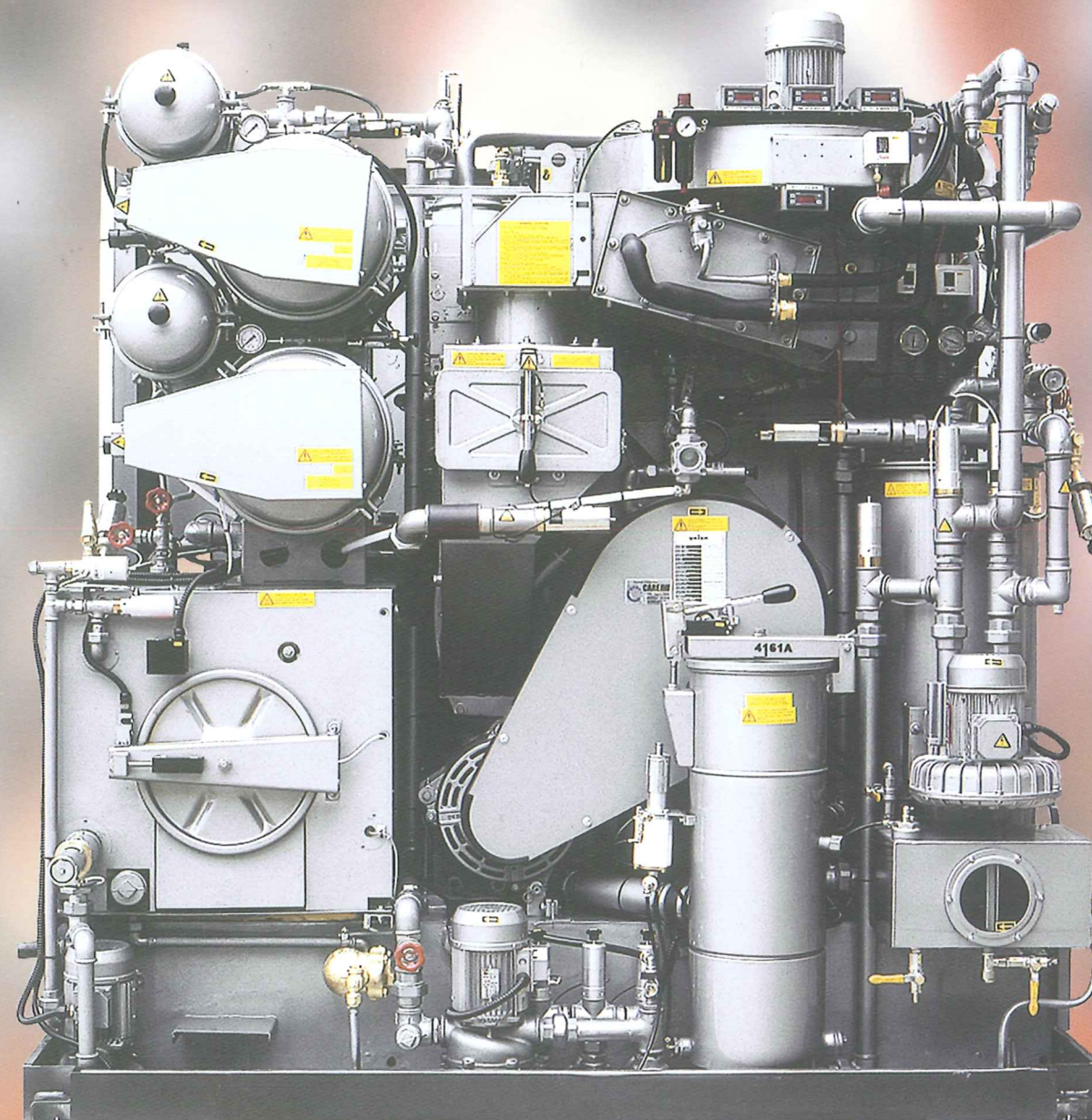


Exceptional cleaning, economy and ecological performance in 50 and 60 pound load capacities. Large-access loading door. Cyclonic Airflo™ basket. Dialog™ Computer with Dialog Plus™. Front digital solvent/air temperature display panels. Front analog filter gauges. Easy front access to electronics, computer and still control components. Front still scraper access door. Illuminated front sightglasses for still and basket solvent washdown inlet. Three independently controlled solvent holding/transfer tanks with slanted base and illuminated sightglasses. 24-volt computer control circuitry. All electronic components are ETL-listed.



The Ideal Drycleaning System.

UNION L-850, L-860 FAST. SMART. CLEAN.



Logical, ergonomically designed for convenient, easy access to all components for quick maintenance. Multiple, independent spin disc Eco-Filters™ and carbon cartridge filters. Convenient access to oversized double lint filters and button trap. Extra-large Turbo 2™ Fan. Two-stage gravitational water separator with sightglass. Modular designed refrigeration system. Built-in Recuper U-2000™. Idromatic™ Still Cleaning System. Quick disconnect hoses. Easily accessible piping, fittings and quick cut-off valves. High-efficiency pumps. Industrial grade stainless steel and brass in all critical areas. Still overflow protection and heavy-duty steel containment base.



The Ideal Drycleaning System.

UNION L-880, L-890 FAST. SMART. CLEAN.

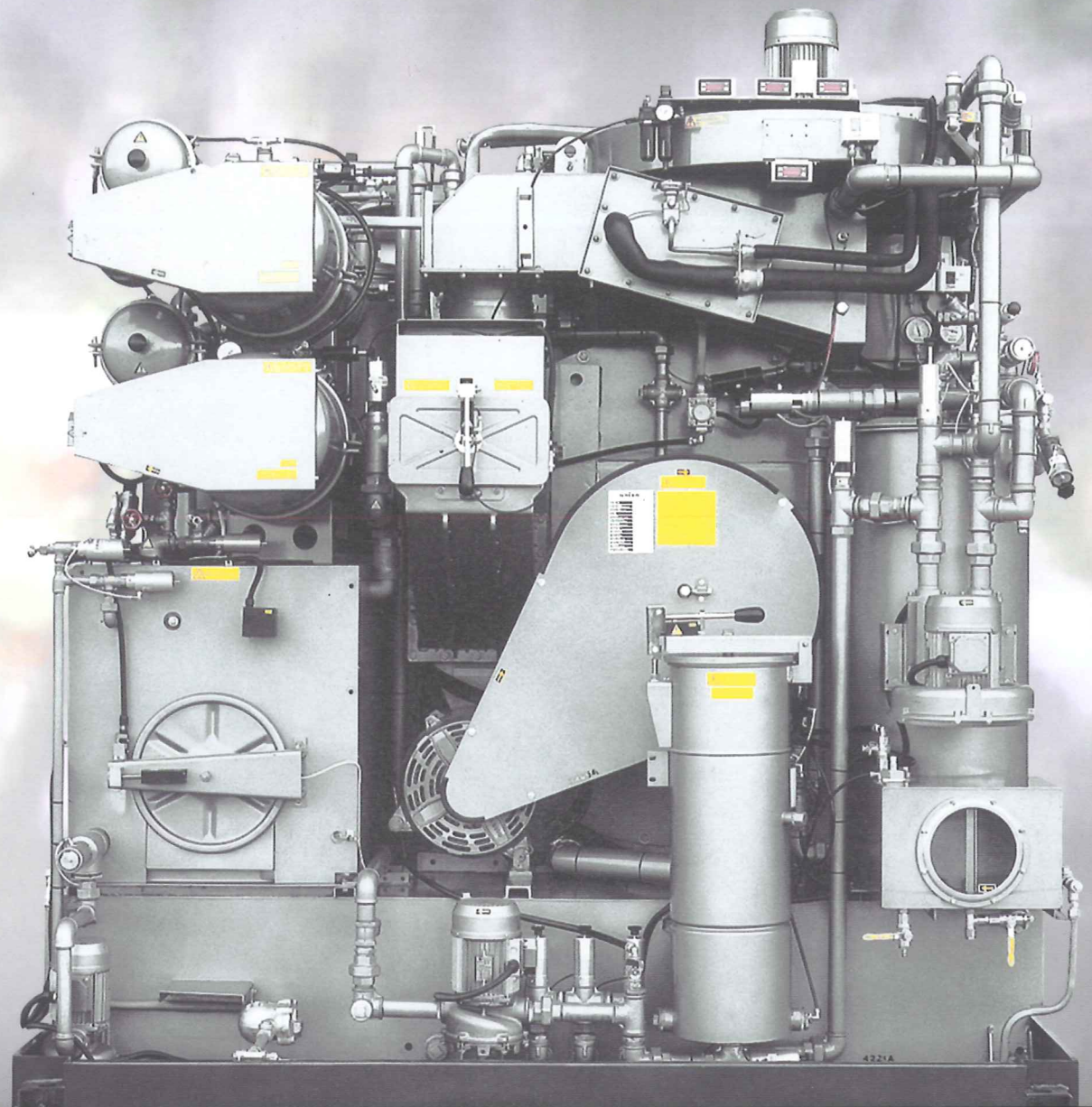


Exceptional cleaning, economy and ecological performance in 80 - and 90-pound load capacities.
Large-access loading door. Cyclonic Airflo™ basket. Dialog™ Computer with Dialog Plus™.
Front digital solvent/air temperature display panels. Front analog filter gauges.
Easy front access to electronics, computer and still control components.
Front still scraper access door. Illuminated front sightglasses for still and basket solvent washdown inlet.
Three independently controlled solvent holding/transfer tanks with slanted base and illuminated sightglasses.
24-volt computer circuitry. All electronic components ETL-listed.



The Ideal Drycleaning System.

UNION L-880, L-890 FAST. SMART. CLEAN.



Logical, ergonomically designed for convenient, easy access to all components for quick maintenance.
Multiple, independent spin disc EcoFilters™ and carbon cartridge filters.
Convenient access to oversized double lint filters and button trap. Extra-large Turbo 2™ Fan. Two-stage gravitational water separator with sightglass. Modular designed refrigeration system. Built-in Recuper U-2000™. Idromatic™ Still Cleaning System. Quick disconnect hoses. Easily accessible piping, fittings and quick cut-off valves. High-efficiency pumps.
Industrial grade stainless steel and brass in all critical areas.
Still overflow protection and heavy-duty steel containment base.



The Ideal Drycleaning System.

Technical features:

		P840	P850	L840	L850	L860	L880	L890
LOAD CAPACITY	Lbs	40	45/50	40	45/50	55/60	75/80	90/95
BASKET								
Volume	cu. ft.	12	14.11	12	14.11	17.8	22.8	28.5
Diameter	inches	35.5	39.4	35.5	39.4	39.4	47.3	47.3
Depth	inches	21	20	21	20	25.2	22.5	28
Wash speed	rpm	40	33	40	33	33	28	28
Extract speed	rpm	400	190 / 380	400	190 / 380	190 / 380	165 / 340	165 / 340
Door opening	inches	20	20	20	20	20	20	23.6
TANKS								
Useful volume tank 1	gal.	25	29	29	42	42	63	63
Useful volume tank 2	gal.	40	44	29	42	42	63	63
Useful volume tank 3	gal.	-	-	53	53	53	87	87
STILL								
Useful Still Volume at half inspection	gal.	42	45	50	68	68	95	95
Total Still Volume	gal.	52	55	60	86	86	120	120
NYLON FILTER								
Volume nylon filter housing	gal.	14.5	14.5	14.5	20	20	20	26.5
Nylon filter area	ft ²	42	42	42	59	59	59	84
Filter disks	nr	26	26	26	39	39	39	52
PURITAN FILTER								
Volume Puritan filter housing	gal.	3.5	3.5	6.6	6.6	6.6	6.6	6.6
Tubes numbers	nr	1	1	1	1	1	1	1
Cartridges quantity	nr	1	1	2	2	2	2	2
DUAL CARTRIDGE FILTER								
Volume Dual cartridge filter housing	gal.	14.5	14.5	14.5	22.5	22.5	22.5	27.8
Tubes numbers	nr	1	1	1	1	1	1	1
Cartridges quantity	nr	2	2	2	3	3	3	4
POWER								
Wash/Extract motor	Hp	0.8/3	1.5/4.5/6	0.8/3	1.5/4.5/6	1.5/4.5/6	2.5/6/8	2.5/6/8
Solvent pump motor	Hp	1	1	1	1	1.5	1.5	1.5
Fan motor	Hp	2	3	2	3	3	5.5	5.5
Refrigerator compressor	Hp	5	6.5	5	6.5	6.5	6.5	6.5
Recuper	Hp	1	1	1	1	1	2	2
Steam Boiler Working	BHP	2.5	3	2.5	3	3	3.5	3.75
Breaker Requirement Size	Amps	60	60	60	60	70	80	80
Working power (STEAM MACHINE)	Kw	6.6	8.2 / 13	6.6	8.55	8.9	10	10
MACHINES WEIGHTS REGULAR Version								
Empty machine weight	lbs	3330	3913	3571	4320	4565	6051	6295
Machine weight with solvent	lbs	4442	5125	5621	6857	7100	9788	10030
Static charge on the floor with solvent	lbs/ft ²	56	60	60	46	47	39	40
Dynamic charge on the floor (+10%)	lbs/ft ²	76	78	71	57	60	51	54
Packaged machine weight	lbs	3583	4400	4188	4938	5180	6680	6922
MACHINES WEIGHTS U 2000 Version								
Empty machine weight	lbs	3570	4166	4122	4872	5115	7020	7265
Machine weight with solvent	lbs	4685	5380	6173	7400	8796	10758	11000
Static charge on the floor with solvent	lbs/ft ²	60	64	60	49	63	43	44
Dynamic charge on the floor (+10%)	lbs/ft ²	80	98	77	61	78	55	58
Packaged machine weight	lbs	3790	4650	4673	5490	5730	7650	7890
MACHINES DIMENSIONS								
(A) Width front Machine	inches	49.2	51.2	78.8	84.3	84.3	93	93
(B) Depth	inches	85	85.5	61	68.5	68.5	79.8	79.8
(C) Height with Fan	inches	85.5	89.8	86.2	90	90	101.6	101.6
(D) Height without Fan	inches	79.7	82.5	79.7	82.5	82.5	92.3	92.3

Specifications subject to change without notice

All Union Drycleaning Products described herein surpass regulatory standards set by OSHA, EPA and NESHA, and are Certified by New York State DEC and California CARB. Operating decibel levels are less than 70 dBA.



Proudly presented by:
UNION DRYCLEANING PRODUCTS USA
 10 Southwoods Parkway, Suite 100,
 Hapeville, GA 30354
 Tel: 1.800.433.9401 - Fax: 404.361.2454
 E-mail: info@uniondc.com