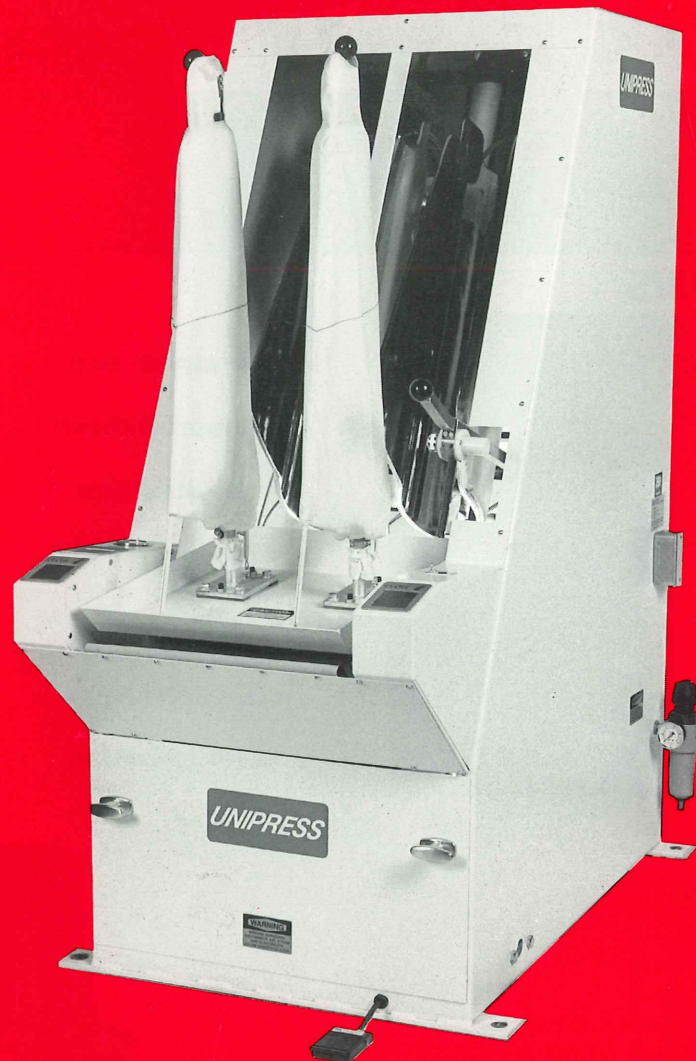


# UNIPRESS

## ABS CABINET AIR BAG SLEEVER



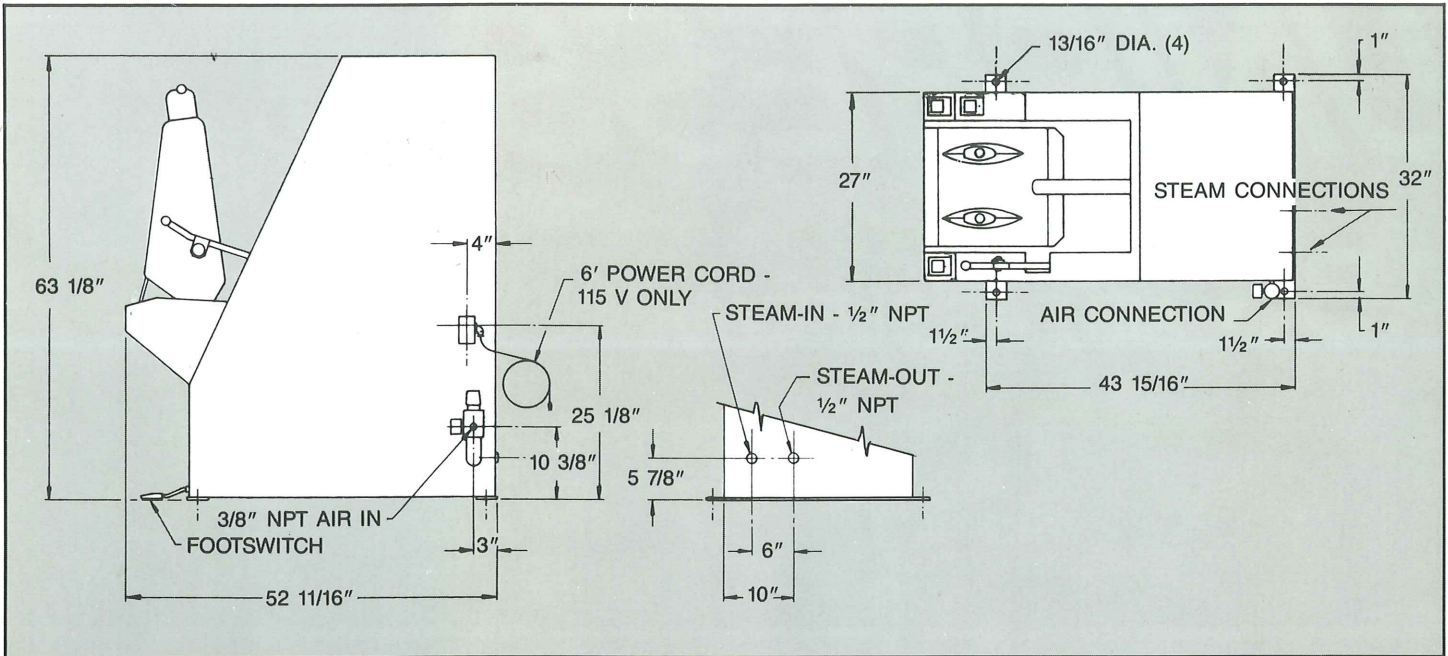
The ABS Air Bag Sleever produces top quality fully pressed sleeves of all sizes and shapes in one operation. Contoured chests, non-porous air bags and automatic measuring ensure high quality uniformly finished sleeves. The non-porous air bags are inflated with compressed air and act as malleable expander blades which expand to the contour of a wide range of shirt sleeves. The pressurized air bags fit precisely into the highly polished contoured chests,

pressing the length of the sleeve from shoulder seam to the cuff.

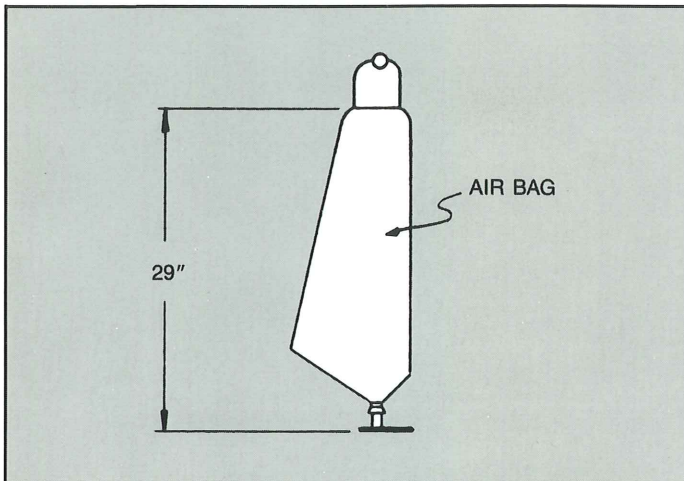
Automatic cuff clamps release at the completion of the timed cycle and coupled with easy loading ensure that high production is obtained with very little operator effort.

The ABS is very smooth and quiet in operation and uses very little electricity. Its durable construction will give years of trouble free service.

# ABS TECHNICAL DATA



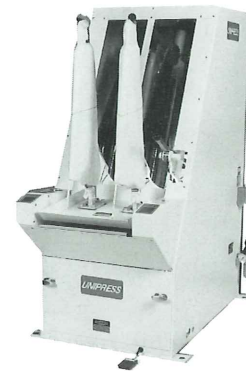
## BUCK DIMENSIONS



- Low capital cost
- Contoured chests
- Measuring arm
- Microprocessor controls
- Automatic cuff clamp release
- Quiet operation
- Non-porous air bags
- Widest range of shirt sizes
- Easy to dress
- Minimum of floor space
- Durable construction
- Fast smooth action

## SPECIFICATIONS

	ABS
Overall Height	63 1/8"
Overall Length	52 11/16"
Overall Width	27"
Steam Inlet (1)	1/2" NPT
Steam Outlet (1)	1/2" NPT
Steam Supply	100-125 PSI
Boiler Horsepower	3/4
Air Inlet	3/8" NPT
Air Consumption/Cycle	1.9 CU. FT.
Air Supply	85 PSI
Electrical	115/1/60
Amperage	1/2 AMP
Net Weight	1,150 LBS



Unipress reserves the right to alter or vary the specifications contained in this leaflet without notice. Drawings not to scale.

# UNIPRESS

3501 Queen Palm Drive Tampa, Florida 33619  
 Telephone (813) 623-3731 FAX (813) 626-2565