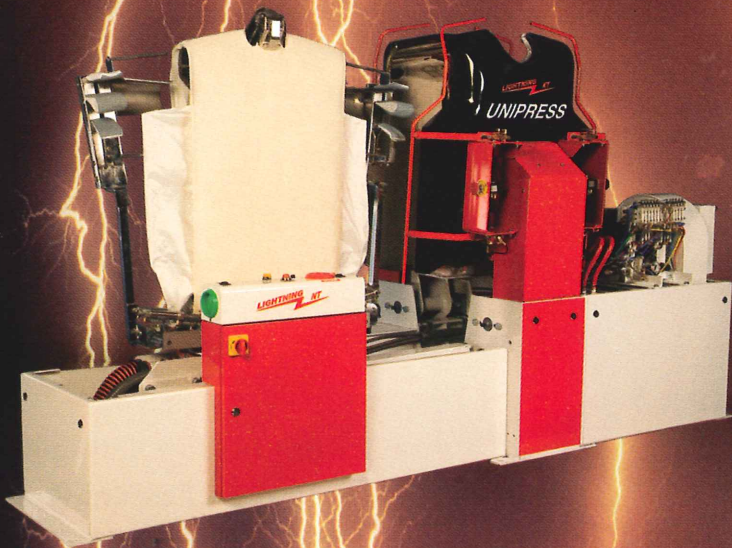


LIGHTNING NT

THE DIFFERENCE IS STRIKING!



LIGHTNING NT

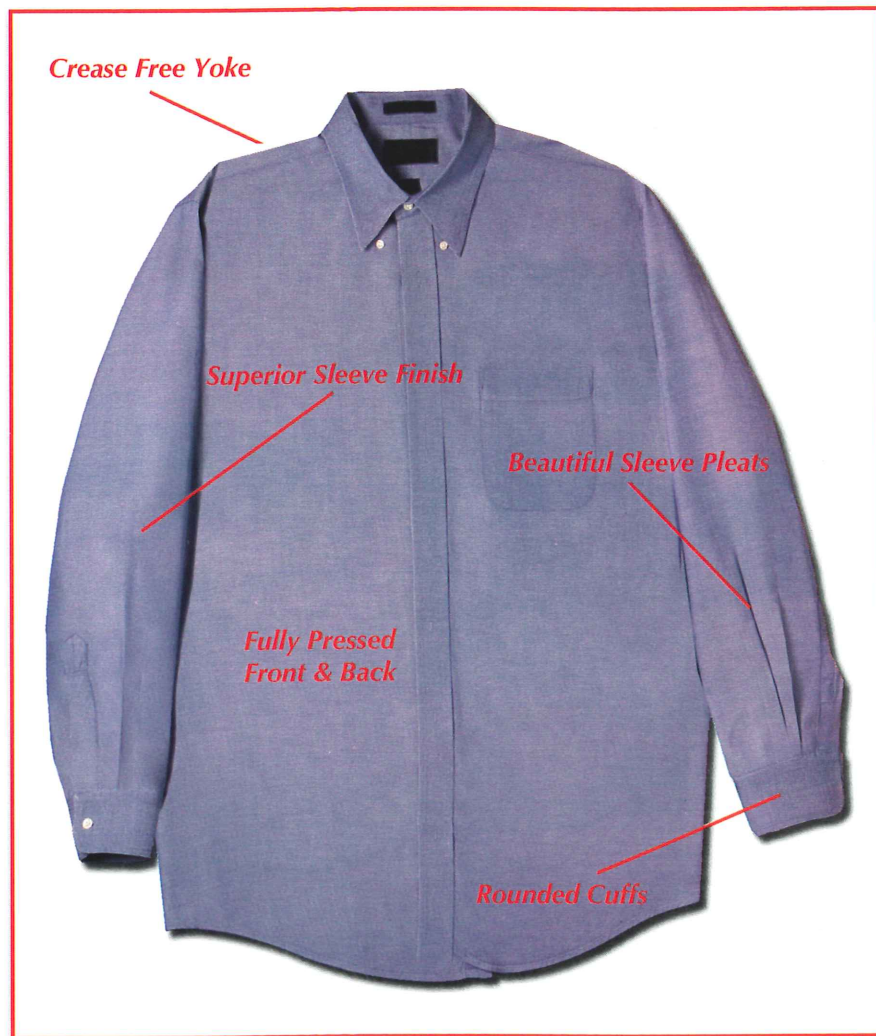


LIGHTNING NT 1

LIGHTNING NT

THE DIFFERENCE IS STRIKING!

The Lightning NT and NT 1 will put a charge into your shirt business. Top quality finished shirts, lightning fast drying times and unsurpassed reliability will make your shirt department more profitable than ever. Both the Lightning NT and Lightning NT 1 completely finish the entire shirt with unmatched quality.



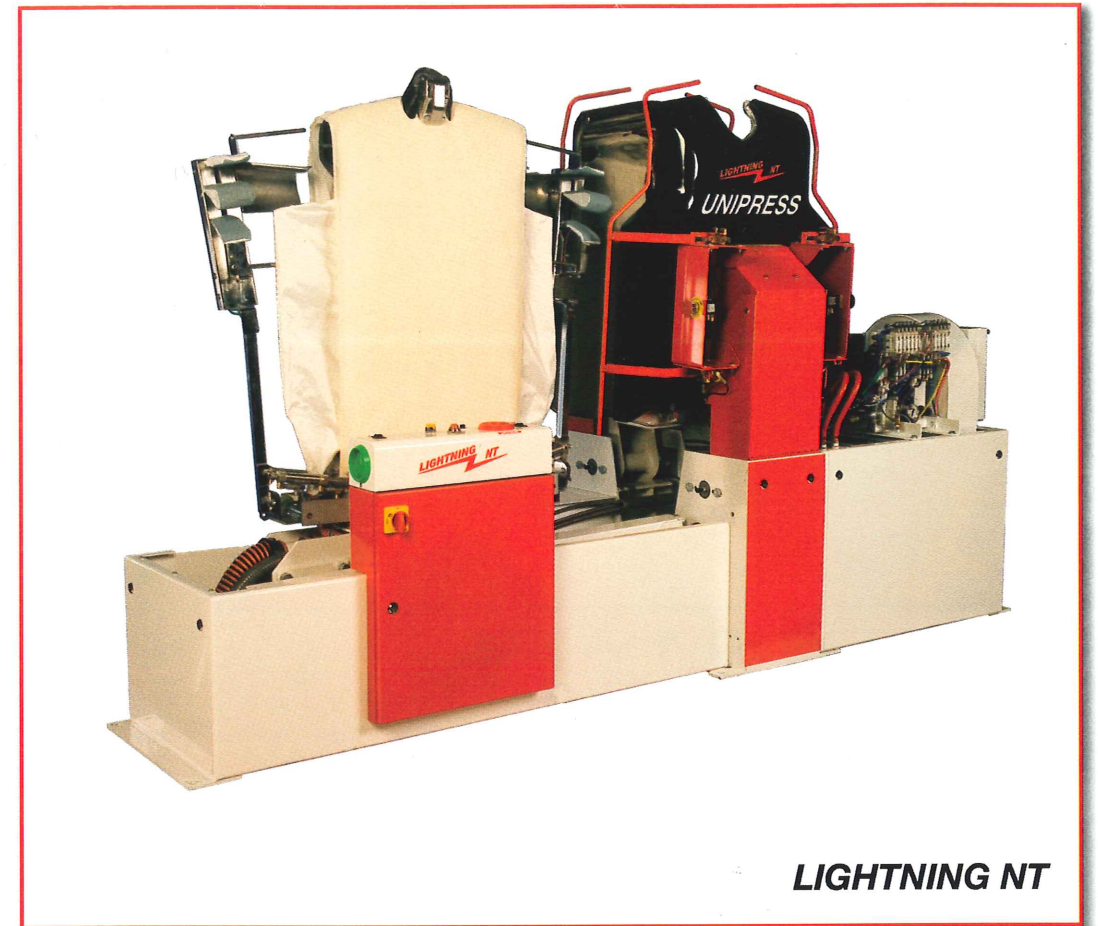
FINISH UP TO SIZE 20" MENS SHIRT

Quality Beyond Compare: The Lightning NT units feature FORMED BUCK, CONTOURED CHESTS, & SIDE AIR BAGS combined with PLEAT ENHANCERS to produce the highest quality shirts. Pleat Enhancers are specifically designed to keep sleeve pleats crisp and sharp without flattening the cuffs.

Increased Production: Drying times and dressing times are two critical factors in production and the Lightning NT's conquers both. Lightning fast drying times are achieved by superheated air, steam injection, direct line ducting and high pressure squeeze. Both units are incredibly easy to dress due to the unique shape of the buck. The collar clamp and cuff clamps are both foot operated freeing the operators hands.

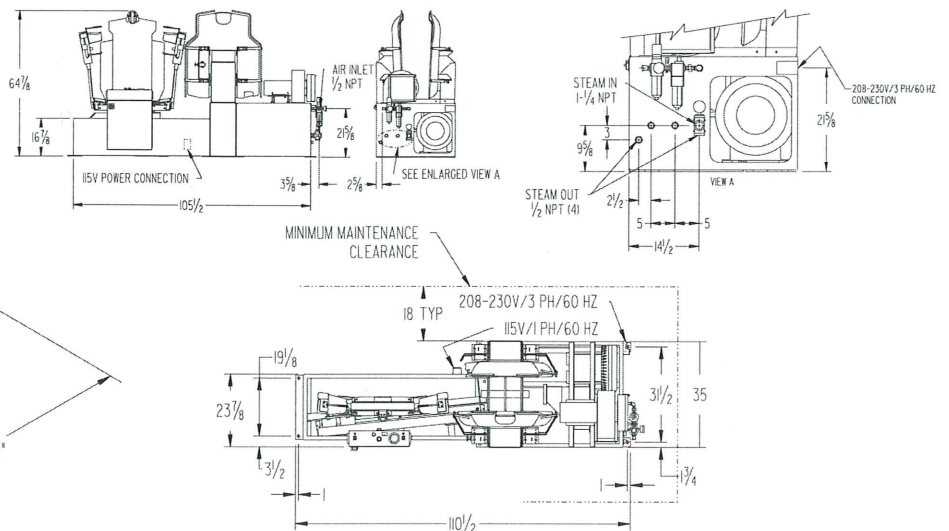
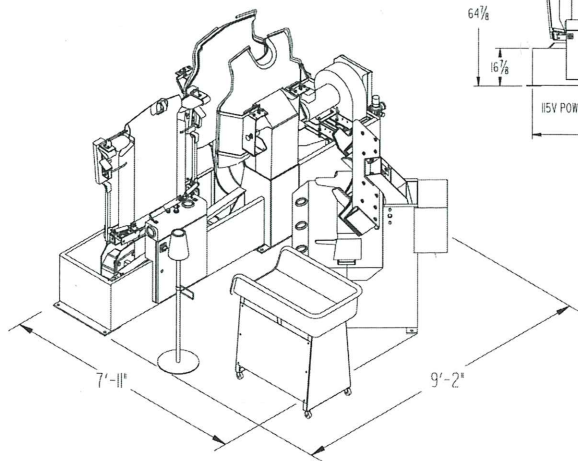
Unsurpassed Reliability: Designed and built to the most exacting standard the Lightning NT and Lightning NT 1 feature:

- Centrally Located Air Valves
- Color Coded Air Lines
- Fast Smooth Transfer
- Open design for easy maintenance
- Microprocessor Controls with Self Diagnostics

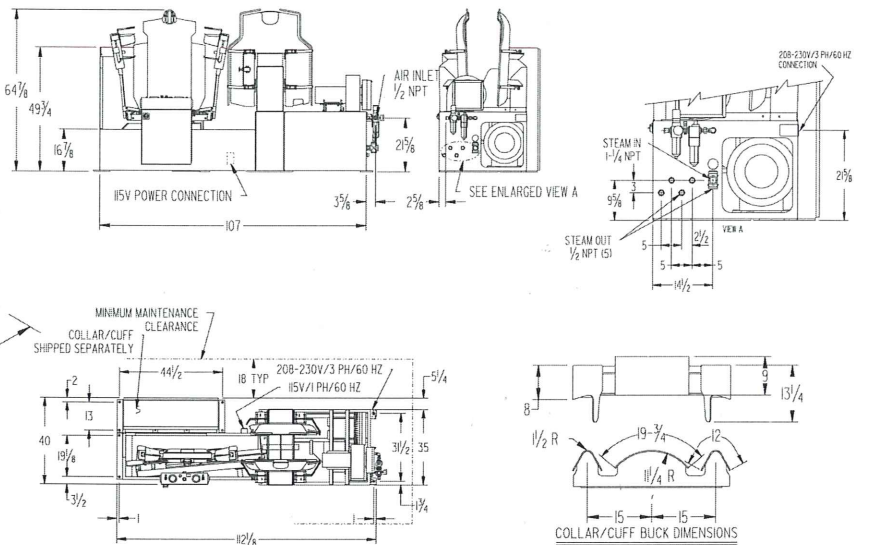
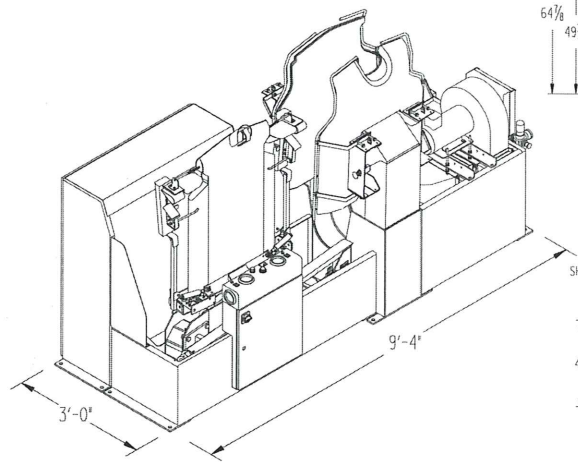


TECHNICAL DATA

LIGHTNING NT



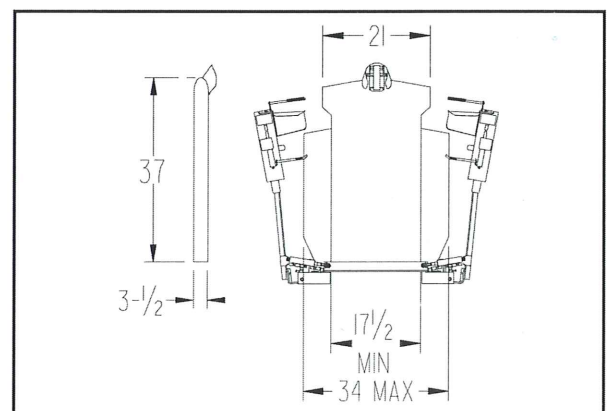
LIGHTNING NT 1



SPECIFICATIONS

LIGHTNING	NT	NT1
Overall Height	64 7/8"	64 7/8"
Overall Length	110	112 1/8"
Overall Width	35"	40"
Steam Inlet (1)	1-1/4" NPT	1-1/4" NPT
Steam Outlet	1/2" NPT (4)	1/2" NPT (5)
Steam Supply	100-125 PSI	100-125 PS
Boiler Horsepower	2.5 BHP	3-1/4 BHP
Air Inlet	1/2" NPT	1/2" NP
Air Supply	85 PSI	85 PSI
Air Consumption/cycle	3 1/2 Cubic Feet/Cycle	4 1/2 Cubic Feet/Cycle
Electrical Press	115V/1/60	115V/1/60
Electrical Blowers	208/230V/3/60	208/230V/3/60
Amperage Press	1 AMP @ 115 volt	1 AMP @ 115 volt
Amperage Blowers	15.4 AMP @ 230 volt	15.4 AMP @ 230 volt
Net Weight	2300 lbs	3200 lbs

BUCK DIMENSIONS



UNIPRESS

3501 Queen Palm Drive Tampa, Florida 33619
 Telephone (813) 623-3731 FAX (813) 626-2565

www.unipresscorp.com