

LIGHTNING NT2

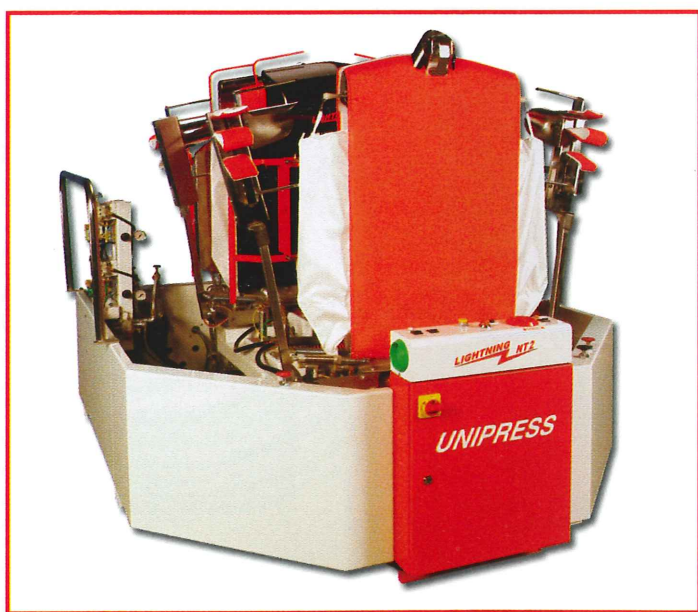


THE DIFFERENCE IS STRIKING!

LIGHTNING NT2

THE DIFFERENCE IS STRIKING!

The Lightning NT2 will electrify your shirt business. Top quality shirts, lightning fast production and unsurpassed reliability will make your shirt department more profitable than ever.



It's All About The Shirt:

The Lightning NT2 features FORMED BUCKS, CONTOURED CHESTS, SIDE AIR BAGS and PLEAT ENHANCERS to produce the highest quality shirt. The pleat enhancers are specifically designed to keep sleeve pleats crisp and sharp without flattening the cuffs.

Lightning fast production rates are achieved by superheated air and steam injection that dries and finishes the sleeves quickly. The contoured chests apply high squeeze pressure to the formed buck and air bags for fast drying and a beautiful finish.

Quality Meets Production:

The Lightning NT2 is designed and built to the most demanding standards ensuring top quality, high production and reliability.

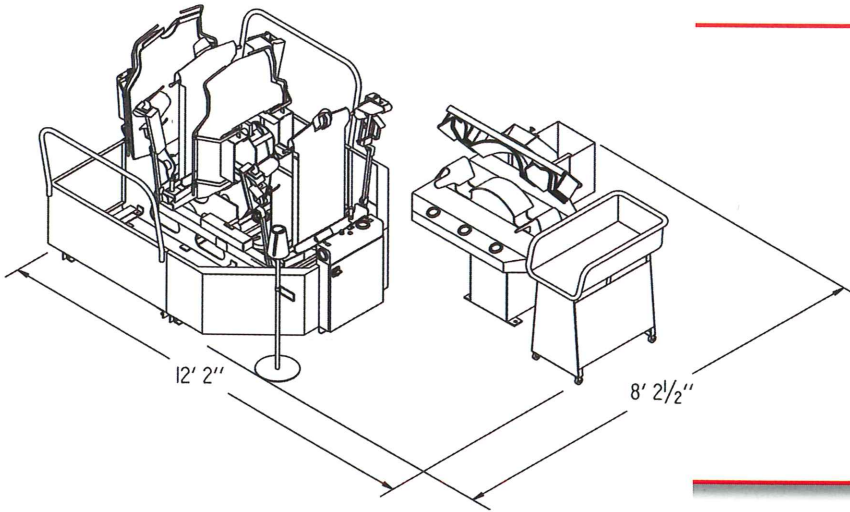
- Fast Smooth Transfer
- Foot Operated Collar Clamp
- High Capacity Blower
- Multi-pass Heat Exchanger
- Foot Operated Cuff Clamps
- Easy to Dress
- Scheduled Maintenance Indicator Light
- Open Design For Easy Maintenance
- Microprocessor Controls with Self Diagnostics
- Color Coded Air Lines

Crease Free Yoke



FINISHES UP TO SIZE 20" MEN'S SHIRT

LIGHTNING FAST PRODUCTION!

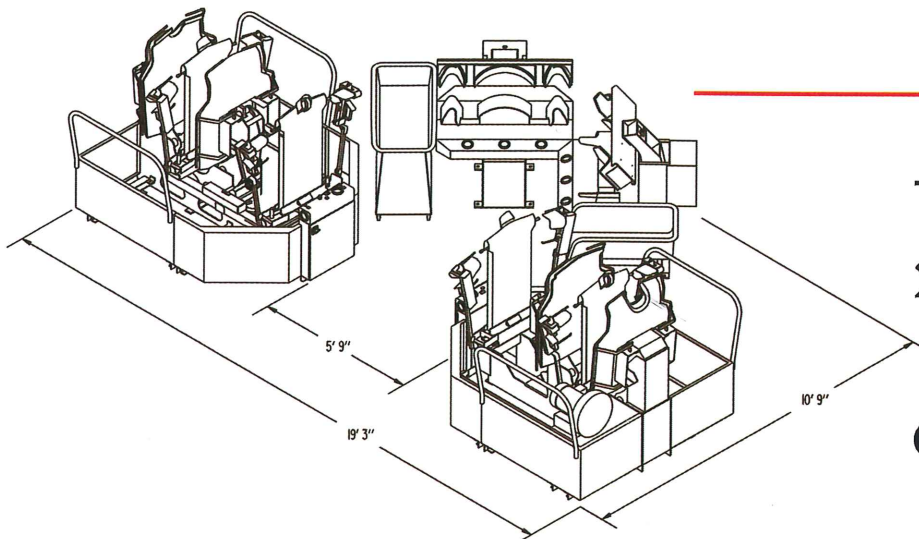
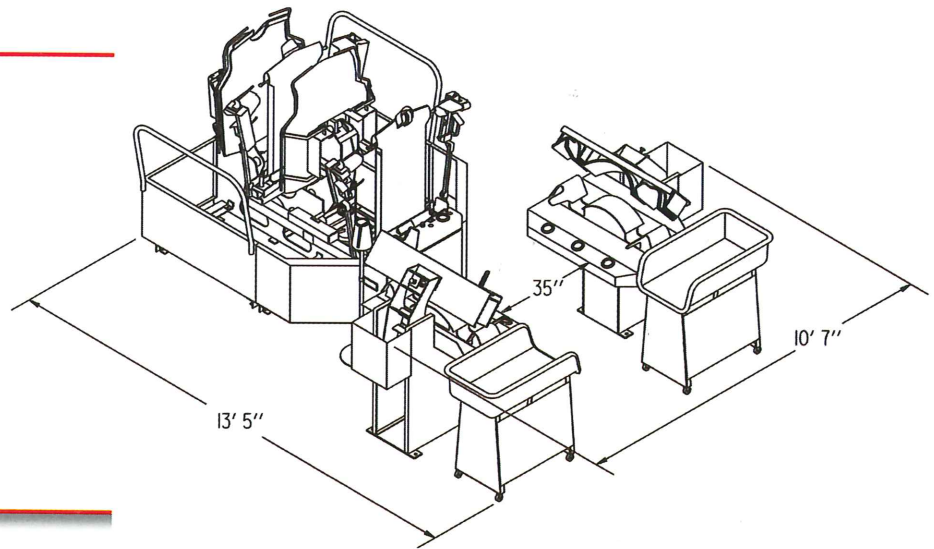


**One Operator
60+Shirts**

Only 100 Square Feet

**Two Operators
100+Shirts per Hour**

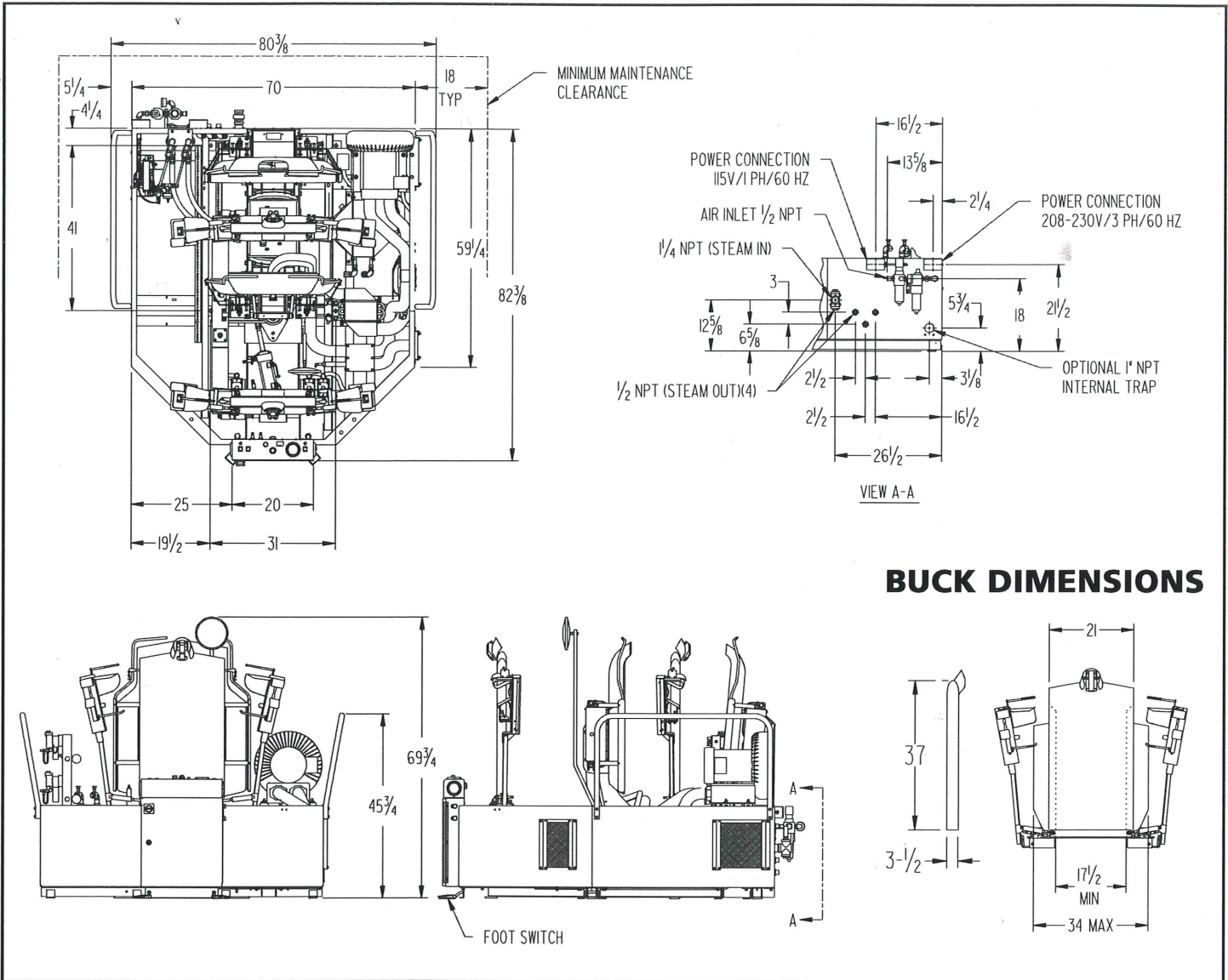
Only 148 Square Feet



**Three Operators
200+Shirts per Hour**

Only 220 Square Feet

TECHNICAL DATA LIGHTNING NT2



SPECIFICATIONS

LIGHTNING	NT2
Overall Height	69 3/4"
Overall Length	82 3/8"
Overall Width	80 3/8"
Steam Inlet (1)	1-1/4" NPT
Steam Outlet	1/2" NPT (4)
Steam Supply	100-125 PSI
Boiler Horsepower	3.5 BHP
Air Inlet	1/2" NPT
Air Supply	85 PSI
Air Consumption/cycle	6 Cubic Feet/Cycle
Electrical Press	115/1/60
Electrical Blowers	208/230/3/60
Amperage Press	1 AMP @ 115 volt
Amperage Blowers	15.4 AMP @ 230 volt
Net Weight	2600 lbs

For the Ultimate in Shirt Quality Use the Lightning NT2 with Pleater Collar Cuffs:



Model PCF



Model PCZ

UNIPRESS

3501 Queen Palm Drive Tampa, Florida 33619

Telephone (813) 623-3731 FAX (813) 626-2565

www.unipresscorp.com