

UNIPRESS

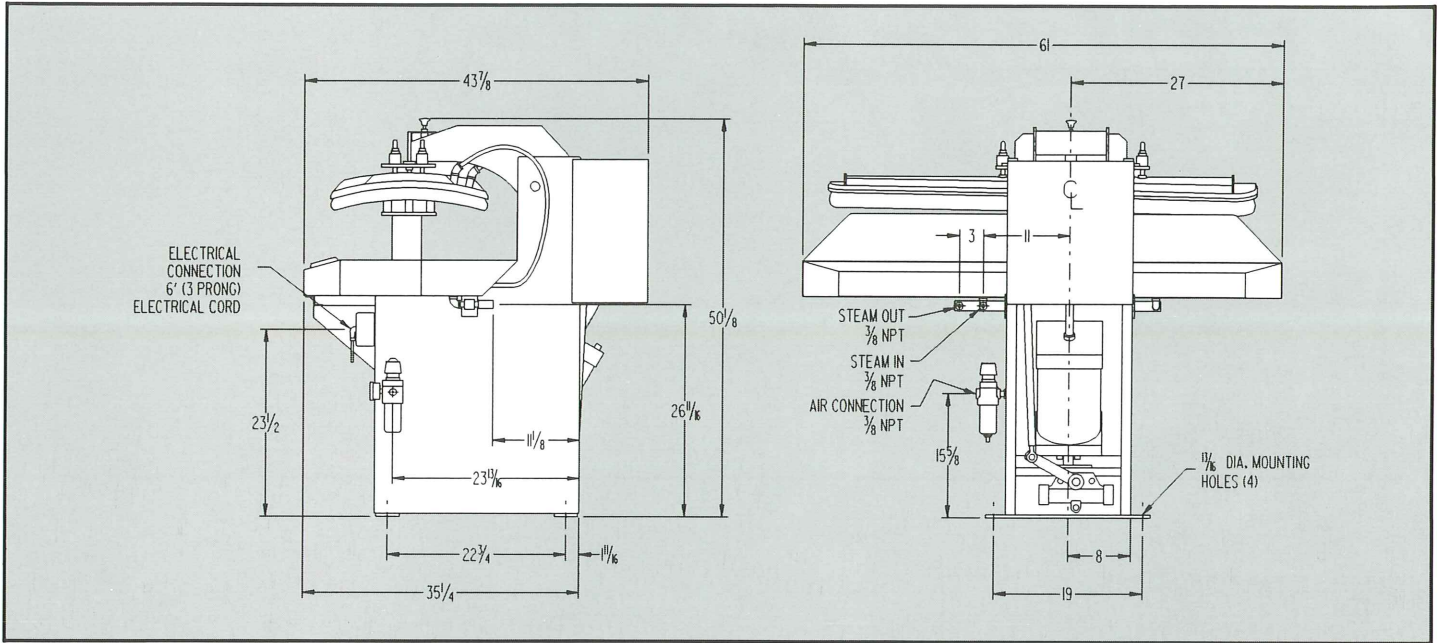
SLZ SINGLE LAUNDRY LEGGER



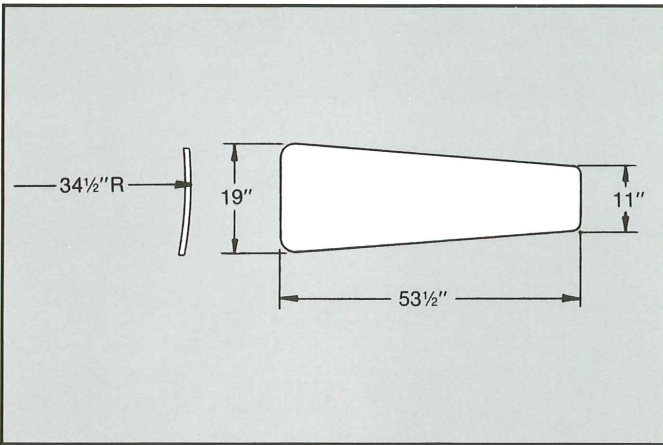
FA Frankford Associates, Inc.
4500 Torresdale Avenue
Philadelphia, PA 19124
Phone: 215-289-3434
Fax: 215-289-4470
www.frankfordonline.com

- *Highly Polished Plated Head*
- *Smooth Operation*
- *Microprocessor Controls with Self Diagnostics*
- *High Pressure Squeeze Cylinder*
- *Designed and Manufactured in USA*
- *Rugged Construction*
- *Two Hand Safety Controls*

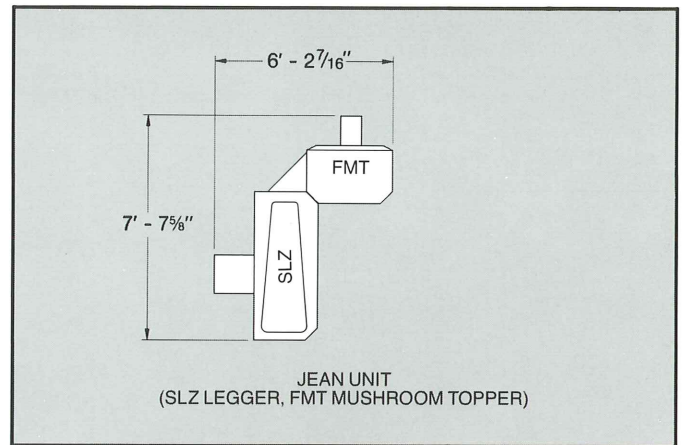
SLZ TECHNICAL DATA



BUCK DIMENSIONS



LAYOUT



SPECIFICATIONS

	SLZ
Overall Height	50 1/8"
Overall Length	43 7/8"
Overall Width	61"
Steam Inlet (1)	3/8" NPT
Steam Outlet (1)	3/8" NPT
Steam Supply	100-125 PSI
Boiler Horsepower	3/4
Air Inlet	3/8" NPT
Air Consumption/Cycle	1 3/4 Cu. Ft.
Air Supply	85 PSI
Electrical	115/1/60
Amperage	1/2 AMP
Net Weight	1,100 Lbs.

Model SLZ

Jeans
Gowns
Uniforms
Smocks

Available in Electric
230/1/60
Model ESLZ



Unipress reserves the right to alter or vary the specifications contained in this leaflet without notice. Drawings not to scale.

UNIPRESS

3501 Queen Palm Drive Tampa, Florida 33619

Telephone (813) 623-3731 FAX (813) 626-2565

www.unipresscorp.com