

VERSIFORM *Plus*



The **VERSIFORM PLUS** handles the widest range of garments possible.

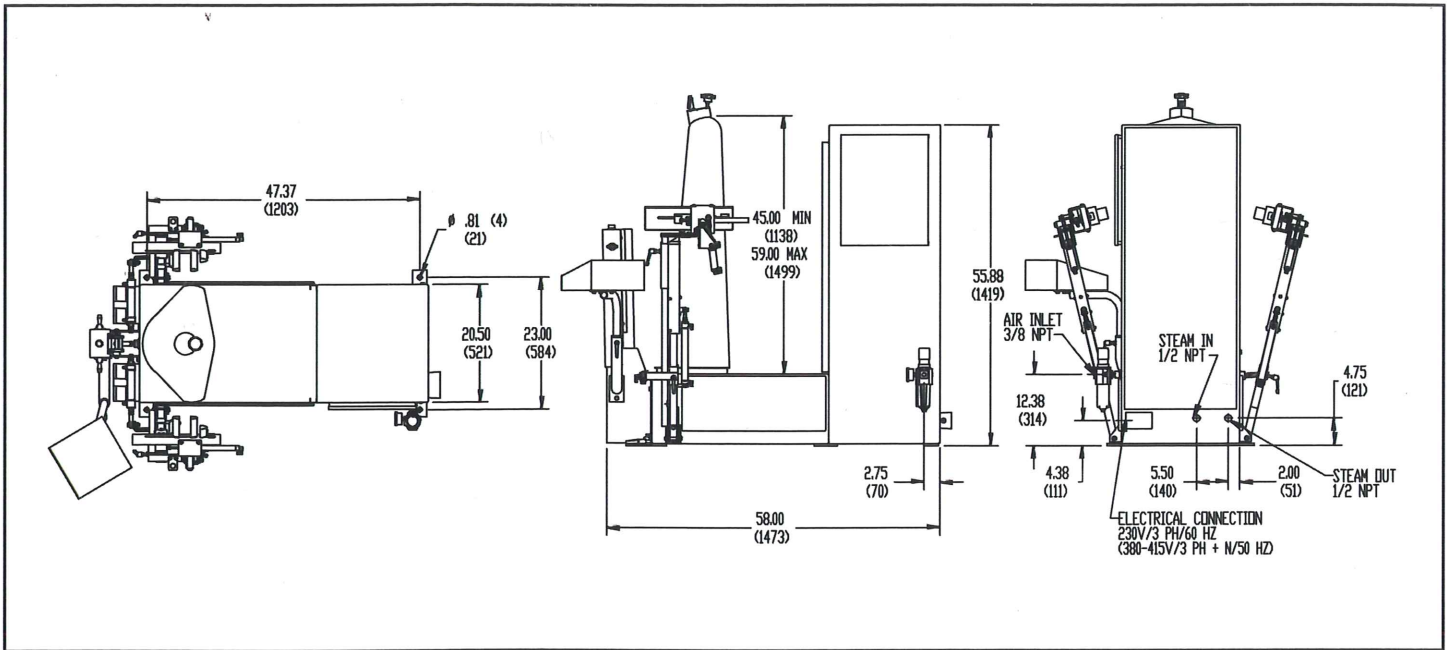
Ladies Blouses (size 2)
Sport Coats
Lab Coats
Microfibers

Men's Shirts (up to size 20)
Dresses
Linsens
Ramie

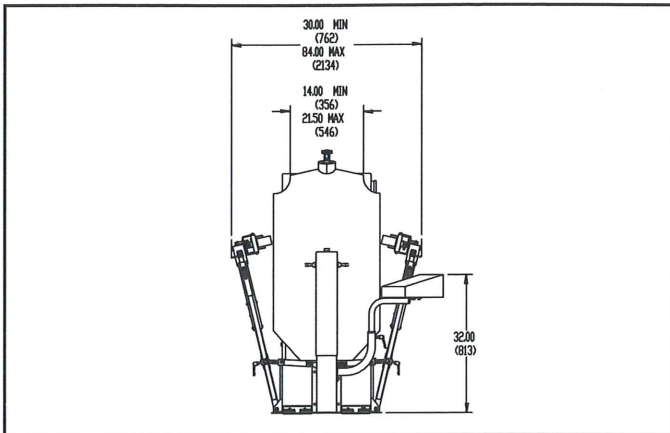
Silks
Pull Overs
Casual Wear
Lycra Blends

UNIPRESS

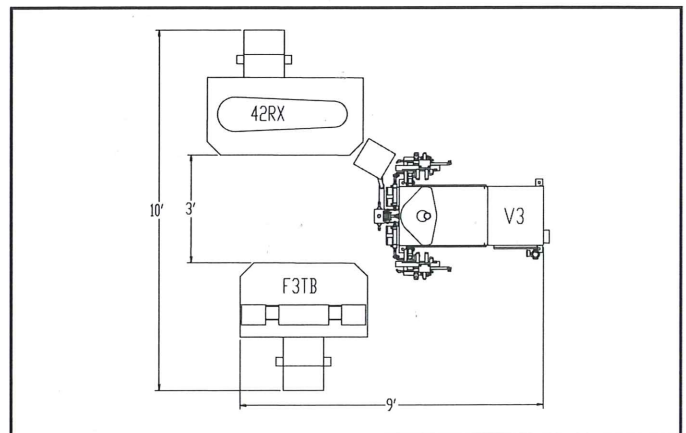
V3 VERSAFORM PLUS TECHNICAL DATA



BUCK DIMENSIONS



LAYOUT



SPECIFICATIONS

	SAE	Metric
Overall Height	56"	1419mm
Overall Length	58"	1473mm
Overall Width(arms ext)	84"	2134mm
Steam Inlet (1)	1/2" NPT	1/2" NPT
Steam Outlet (1)	1/2" NPT	1/2" NPT
Steam Supply	85 PSI	6 BAR
Boiler Horsepower	1-2 BHP	20-40 KG/H
Air Inlet	3/8" NPT	3/8" NPT
Air Consumption/Cycle	0.1 CU. FT./Cycle	2.8 Liters/Cycle
Air Supply	85 PSI	6 BAR
Electrical	230/3/60	380-415/3ph+n/50
Amperage	7 AMP	1.6 KW
Net Weight	760 LBS	760 LBS

V3 VERSAFORM PLUS FEATURES:

- Microprocessor Controls
- Air Operated Arms
- Automatic Measuring
- Large Capacity Blower
- Multi-Pass Heat Exchanger
- Extra Long Form
- Easy to operate
- Stainless Steel Form
- Air Operated Short Sleeve Clamps
- Interchangeable Front Clamps

UNIPRESS

3501 Queen Palm Drive Tampa, Florida 33619
Telephone (813) 623-3731 FAX (813) 626-2565

www.unipresscorp.com