

UNIPRESS

Z Frame TRIPLE HEAD COLLAR & CUFF



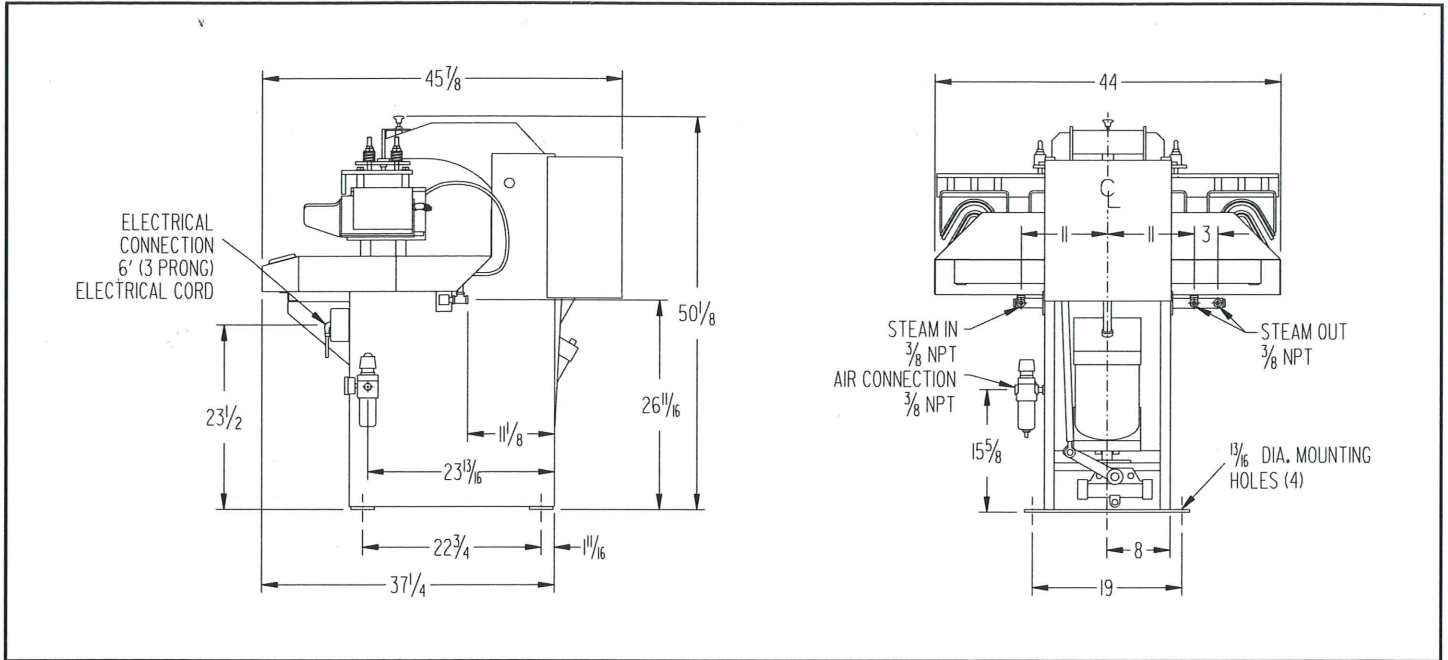
PCZ Collar and Cuff with Sleeve Pleater



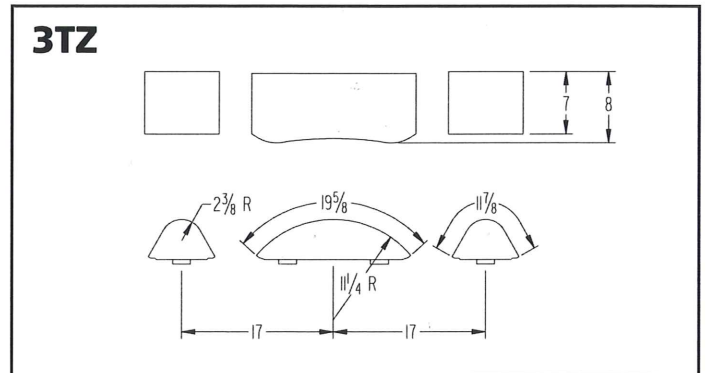
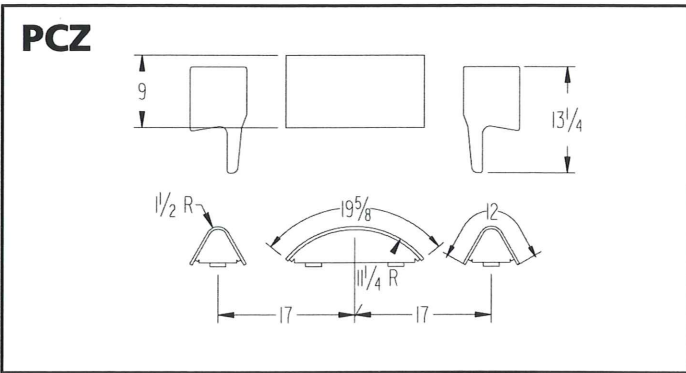
3TZ Collar and Cuff Press

- *Highly Polished Plated Head*
- *Smooth Operation*
- *Microprocessor Controls with Self Diagnostics*
- *Designed and Manufactured in USA*
- *High Pressure Squeeze Cylinder*
- *Rugged Construction*
- *Two Hand Safety Controls*

Z Frame TECHNICAL DATA



BUCK DIMENSIONS



SPECIFICATIONS

	PCZ/3TZ
Overall Height	50 1/8"
Overall Length	45 7/8"
Overall Width	44"
Steam Inlet (1)	3/8" NPT
Steam Outlet (2)	3/8" NPT
Steam Supply	100 - 125 PSI
Boiler Horsepower	3/4 BHP
Air Inlet	3/8" NPT
Air Consumption/cycle	1 3/4 Cubic Feet/Cycle
Electrical	120/1/60
Amperage	1/2 amps
Net Weight	1000 lbs.



UNIPRESS

3501 Queen Palm Drive Tampa, Florida 33619

Telephone (813) 623-3731 FAX (813) 626-2565

www.unipresscorp.com